



PRE3G

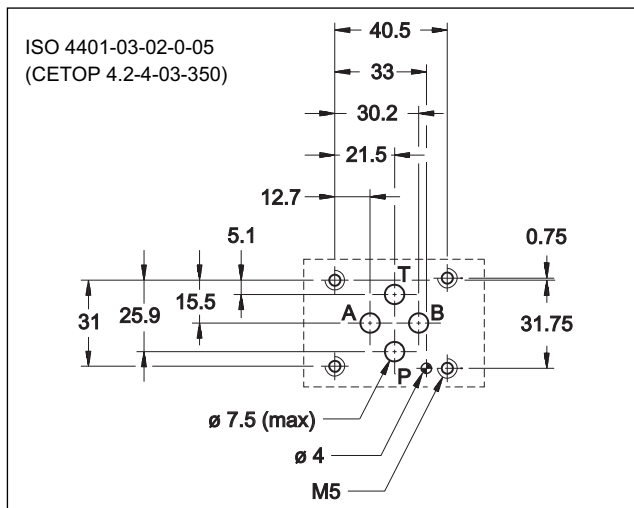
PILOT OPERATED PRESSURE CONTROL VALVE WITH PROPORTIONAL CONTROL AND INTEGRATED ELECTRONICS

SERIES 12

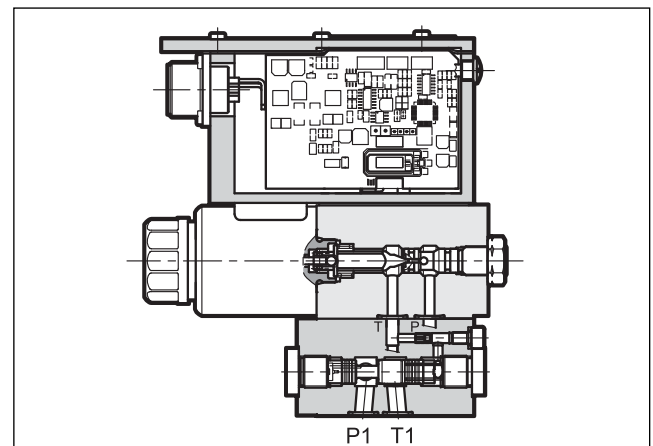
SUBPLATE MOUNTING
ISO 4401-03 (CETOP 03)

p max **350** bar
Q max **40** l/min

MOUNTING SURFACE



OPERATING PRINCIPLE



— The PRE3G valve is a pilot operated pressure control valve with integrated electric proportional control and mounting interface in compliance with ISO 4401 (CETOP RP 121H) standards, controlled directly by an integrated digital amplifier (see par. 4).

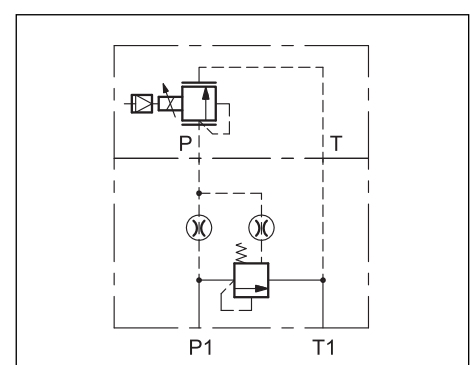
- It is suitable to modulate the pressure in hydraulic circuits.
- Pressure adjustment can be continuous in proportion to the current supplied to the solenoid.
- Four pressure control ranges up to 350 bar are available.

PERFORMANCES

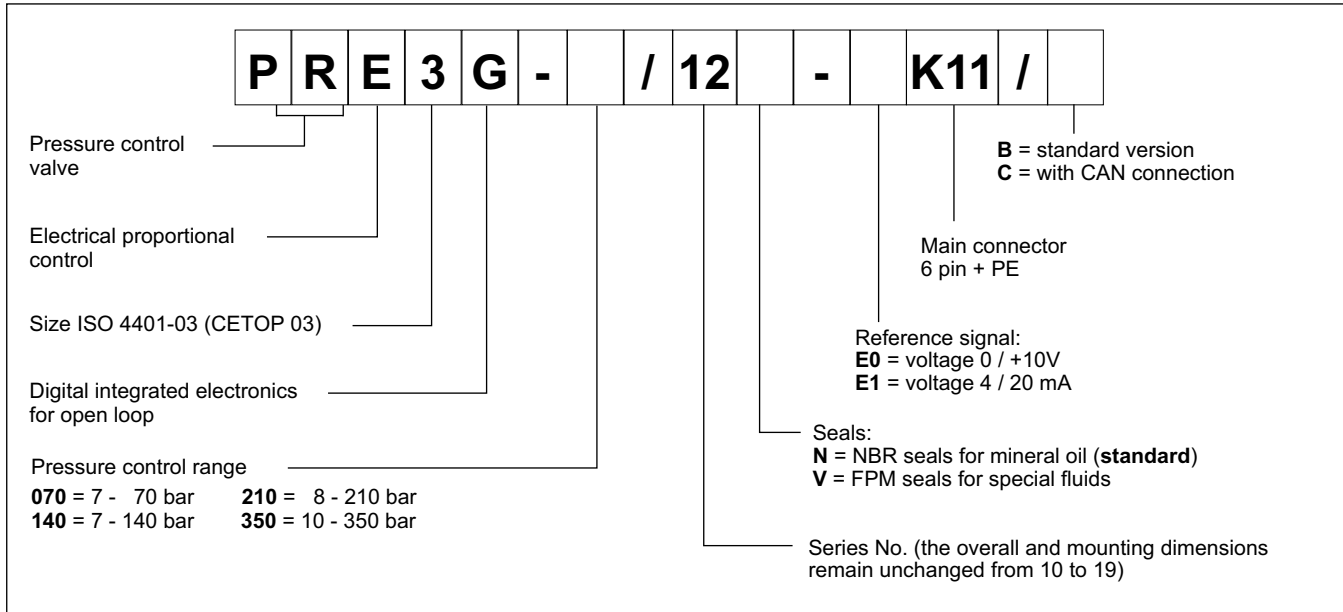
(obtained with mineral oil with viscosity of 36 cSt at 50°C and digital integrated electronics)

Maximum operating pressure: - P port - T port	bar	350 2
Minimum controlled pressure	see p min= f(Q) diagram	
Minimum flow Maximum flow (see p max = f(Q) diagram)	l/min	2 40
Step response	see paragraph 3	
Hysteresis	% of p nom	< 3%
Repeatability	% of p nom	< ±1%
Electrical characteristic	see paragraph 4.3	
Ambient temperature range	°C	-20 / +60
Fluid temperature range	°C	-20 / +80
Fluid viscosity range	cSt	10 + 400
Fluid contamination degree	According to ISO 4406:1999 class 18/16/13	
Recommended viscosity	cSt	25
Mass	kg	3,8

HYDRAULIC SYMBOL



1 - IDENTIFICATION CODE

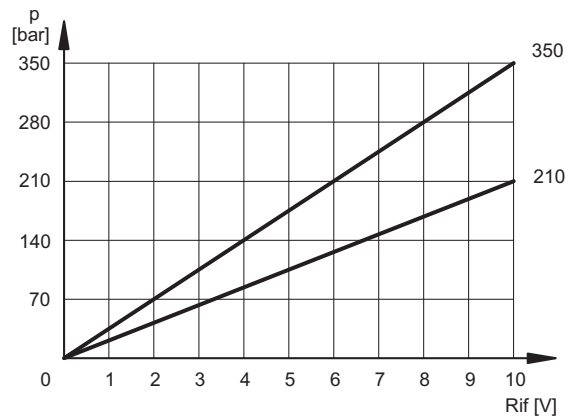
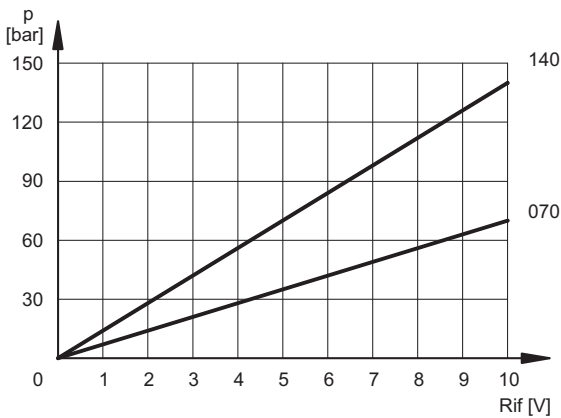


2 - CHARACTERISTIC CURVES (measured with viscosity of 36 cSt at 50°C)

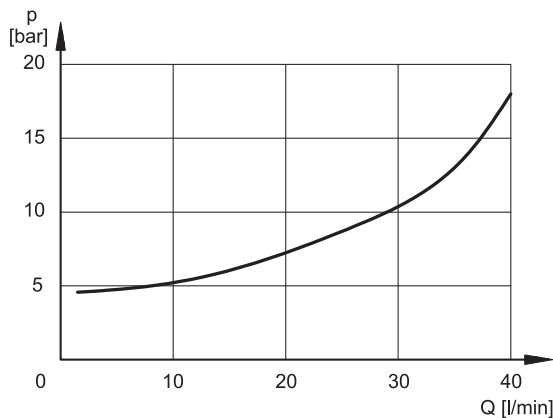
Typical control curves according to the current supplied to the solenoid (D24 version with maximum current 860 mA) for pressure control ranges: 070, 140, 210, 350, measured with input flow rate $Q = 10$ l/min.

The curves are obtained without any hysteresis and linearity compensation and they are measured without any backpressure in T. The full scale pressure is set in factory with a flow rate of 10 l/min. In case of higher flow rate, the full scale pressure will increase considerably (see diagram $p_{max} = f(Q)$).

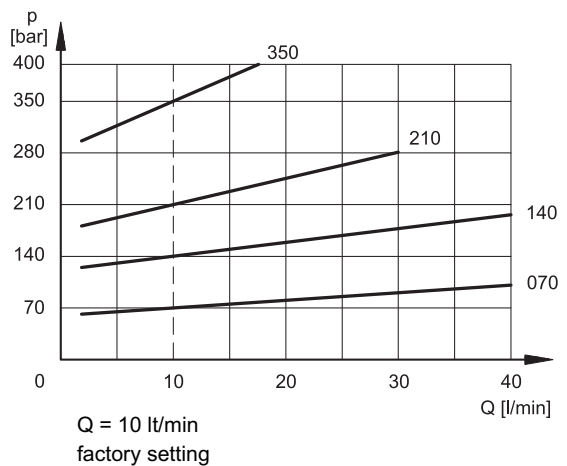
PRESSURE CONTROL $p = f(I)$



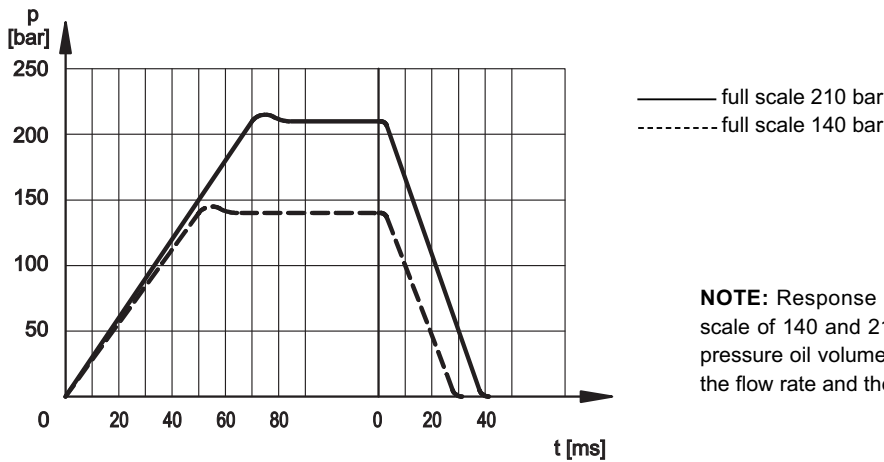
MINIMUM CONTROLLED PRESSURE $p_{min} = f(Q)$



PRESSURE VARIATION $p_{max} = f(Q)$



3 - RESPONSE TIMES (obtained with mineral oil with viscosity of 36 cSt at 50°C and with digital integrated electronics)



NOTE: Response times are obtained by using valves with a full scale of 140 and 210 bar, with an input flow rate of 10 l/min and a pressure oil volume of 0,5 lt. The response time is affected both by the flow rate and the oil volume in the pipework.

4 - ELECTRICAL CHARACTERISTICS

4.1 - Digital integrated electronics

The proportional valve is controlled by a digital amplifier (driver), which incorporates a microprocessor that controls, via software, all the valve functions, such as:

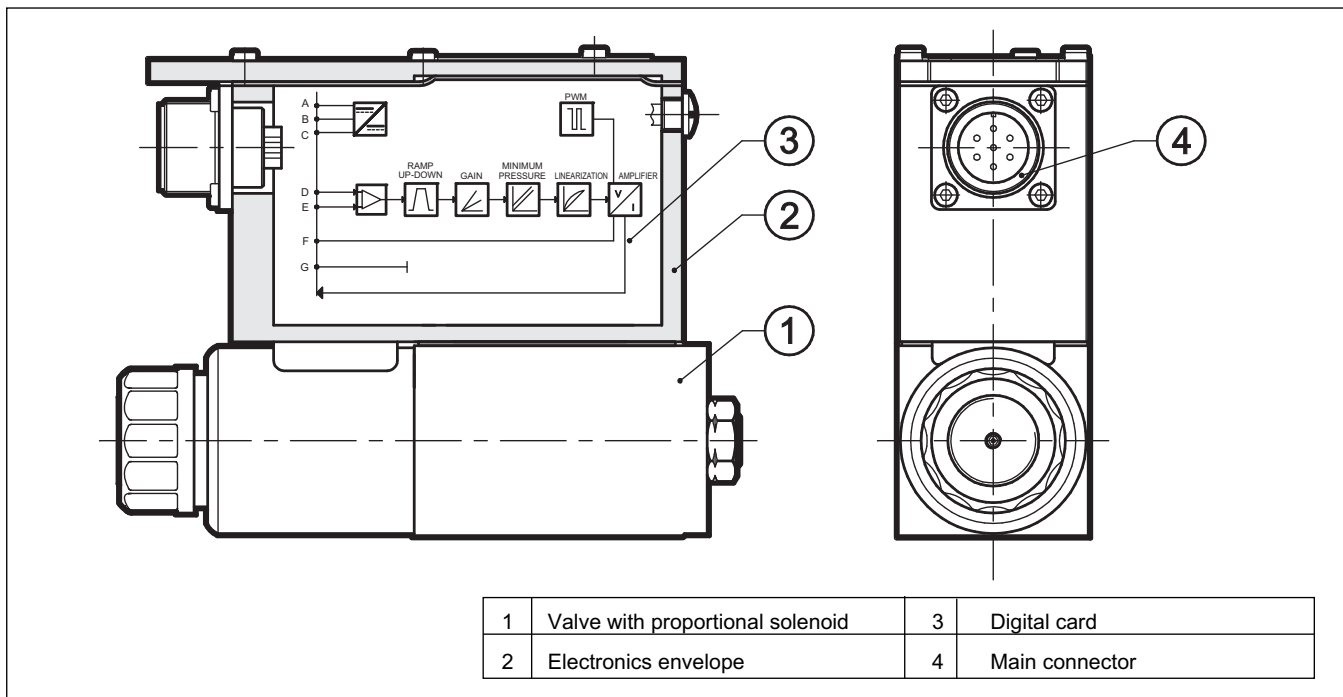
- continuous converting (0,5 ms) of the voltage reference signal (E0) or of the current reference signal (E1) in a digital value
- generation of up and down ramps (see **NOTE**)
- gains limit (see **NOTE**)
- compensation of the dead band
- linearization of the characteristic curve
- regulation of the current to the solenoid
- dynamic regulation of PWM frequency
- protection of the solenoid outputs against possible short circuits

NOTE: these parameters can be set through the CAN connection, using a PC and the dedicated software (see paragraph 5.3)

The digital driver enables the valve to reach better performance compared to the analogic version, such as:

- reduced hysteresis and improved repeatability
- better response times
- linearization of the characteristic which is optimised in factory for each valve
- complete interchangeability in case of valve replacement
- opportunity to set several parameters via software
- possibility to interface a CAN-Open network
- opportunity to run a diagnostic program via the CAN connection
- high immunity to electromagnetic troubles

4.2 - Functional block diagram



4.3 - Electrical characteristics

NOMINAL VOLTAGE	V DC	24 (from 19 to 35 VDC, ripple max 3 Vpp)
ABSORBED POWER	W	50
MAXIMUM CURRENT	A	1,88
DUTY CYCLE		100%
VOLTAGE SIGNAL (E0)	V DC	0 ÷ 10 (Impedance Ri > 50KΩ)
CURRENT SIGNAL (E1)	mA	4 ÷ 20 (Impedance Ri = 500 Ω)
ALARMS		Overload and electronics overheating
COMMUNICATION		Interface of the optoisolated industrial Field-bus type CAN-Bus ISO 11898
MAIN CONNECTOR		7 - pin MIL-C-5015-G (DIN 43563)
CAN-BUS CONNECTOR		M12-IEC 60947-5-2
ELECTROMAGNETIC COMPATIBILITY ((EMC) emissions immunity	CEI EN 61000-6-4 CEI EN 61000-6-2	According to 2004/108/CE standards
PROTECTION AGAINST ATMOSPHERIC AGENTS		IP65 / IP67 (CEI EN 60529 standards)

5 - OPERATING MODALITIES

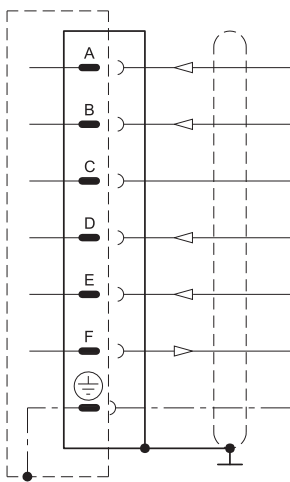
The digital driver of PRE3G valve may be used with different functions and operating modalities, depending on the requested performances.

5.1 - Standard version with voltage reference signal (E0)

This is the most common version; it makes the valve completely interchangeable with the traditional proportional valves with analog type integrated electronics. The valve has only to be connected as indicated below.

This version doesn't allow the setting of the valve parameters, for example the ramps must be performed in the PLC program, as well as the reference signal limit.

Connection scheme B version - (E0)



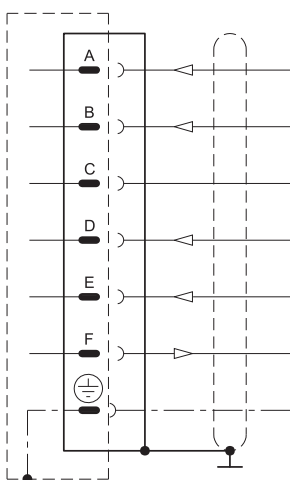
Pin	Values	Function	NOTE
A	24 VDC	Voltage	from 19 to 35 VDC (ripple max 3 Vpp) (see NOTE 2)
B	0 V	Power supply (zero)	0 V
C	----	Not used	----
D	0 ÷ 10 V	Input rated command	Impedance $R_i > 50 \text{ k}\Omega$
E	0 V	Input rated command	----
F	0 ÷ 10 V	Test point coil current	0 ÷ 100% I_{MAX} (see NOTE 1)
PE	GND	Protective ground	----

NOTE: if only one input signal (single-end) is available, the Pin B (0V power supply) and the Pin E (0V reference signal) must be connected through a jumper and both connected to GND, electric panel side.

5.2 - Standard version with current reference signal (E1)

This version has characteristics which are similar to the previous one, with the difference that in this case the reference signal is supplied in current 4 - 20 mA. With the 4 mA signal the valve is at zero value, while with 20 mA signal the valve is at the maximum setting value.

Connection scheme (B version - E1)



Pin	Values	Function	NOTE
A	24 VDC	Voltage	from 19 to 35 VDC (ripple max 3 Vpp) (see NOTE 2)
B	0 V	Power supply (zero)	0 V
C	----	Not used	----
D	4 ÷ 20 mA	Input signal	Impedance $R_i = 500 \Omega$
E	0 V	Zero reference	----
F	0 ÷ 10 V	Test point coil current	0 ÷ 100% I_{MAX} (see NOTE 1)
PE	GND	Protective ground	----

NOTE for the wiring: connections must be made via the 7-pin plug mounted on the amplifier. Recommended cable sizes are 0,75 mm² for cables up to 20m and 1,00 mm² for cables up to 40m, for power supply. The signal cables must be 0,50 mm². A suitable cable would have 7 cores, a separate screen for the signal wires and an overall screen.

NOTE 1: read the test point Pin F in relation to Pin B (0V)

NOTE 2: forecast on Pin A (24 VDC) an external fuse for electronic protection. Fuse characteristics: 5A/50V quick type.

5.3 - Version with parameters set by means of CAN connector (version C)

This version enables the setting of some parameters of the valve, by connecting the CAN connector to a traditional computer.

To do this, the following devices are to be ordered separately:

- interface device for USB port **CANPC-USB/20** - cod. 3898101002, with the relevant configuration software, with a communication cable (L = 3 meters) and a hardware converter for connecting the valve at PC USB port. The software is Microsoft XP® and Windows Vista compliant.

The parameters that can be set are described below:

Nominal pressure

The "nominal pressure" parameter limits the maximum current to the solenoid, therefore it sets the desired nominal pressure corresponding to the positive value of the input reference (10 V or 20 mA).

Default value = 100% of full scale

Range: from 100% to 50% of full scale

PWM Frequency

Sets the PWM frequency, which is the pulsating frequency of the control current. The PWM decrease improves the valve accuracy, decreasing the regulation stability.

The PWM increase improves the regulation stability, causing a higher hysteresis.

Default value = 300 Hz

Range 50 ÷ 500 Hz

Ramps

Increase time of Ramp R1: sets the current increase time for a variation from 0 to 100% of the input reference.

Decrease time of Ramp R2: sets the current decrease time for a variation from 100% of the input reference.

Min time = 0,001 sec.

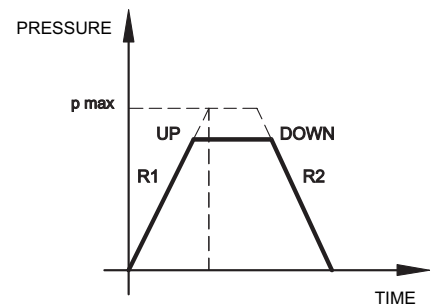
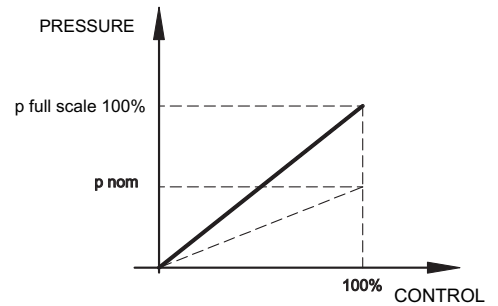
Max time = 40,000 sec.

Default time = 0,001 sec.

Diagnostics

Provides several information parameters, such as:

- The electronic driver status (Working or Broken)
- The active regulation
- Input reference
- Current value



5.4 - Version with CAN-Bus interface (version C)

This version allows the valve piloting through the industrial field bus CAN-Open, according to ISO 11898 standards.

The CAN connector must be connected (see scheme) as a slave node of the CAN-Open bus, while the main connector is wired only for the power supply (pin A and B + earth)

The most important characteristics of a CAN - Open connection are:

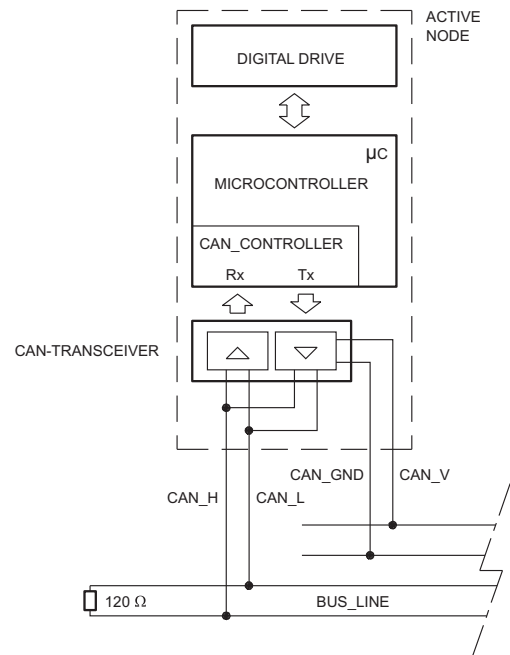
- Parameter storage also in PLC
- Parameters setting in real-time (PDO communication)
- On-line valve diagnostics
- Easy wiring with the serial connection
- Communication program according to international standards

For detailed information on the CAN-Open communication software, see cat. 89 800.

CAN connector connection scheme

Pin	Values	Function
1	CAN_SHLD	monitor
2	CAN +24VDC	BUS + 24 VDC (max 30 mA)
3	CAN 0 DC	BUS 0 VDC
4	CAN_H	BUS line (high signal)
5	CAN_L	BUS line (low signal)

NOTE: insert a 120 Ω resistance on pin 4 and pin 5 of the CAN connector when the valve is the closure knot of the CAN network.



6 - INSTALLATION

We recommend to install the PRE3G valve either in horizontal position, or vertical position with the solenoid downward. If the valve is installed in vertical position and with the solenoid upward, you must consider possible variations of the minimum controlled pressure, if compared to what is indicated in paragraph 2.

Ensure that there is no air in the hydraulic circuit. In particular applications, it can be necessary to vent the air entrapped in the solenoid tube, by using the appropriate drain screw in the solenoid tube. Ensure that the solenoid tube is always filled with oil (see paragraph 8). At the end of the operation, make sure of having correctly replaced the drain screw.

Connect the valve T port directly to the tank. Add any backpressure value detected in the T line to the controlled pressure value. Maximum admissible backpressure in the T line, under operational conditions, is 2 bar.

Valves are fixed by means of screws or tie rods on a flat surface with planarity and roughness equal to or better than those indicated in the relative symbols. If minimum values are not observed, fluid can easily leak between the valve and support surface.

7 - HYDRAULIC FLUIDS

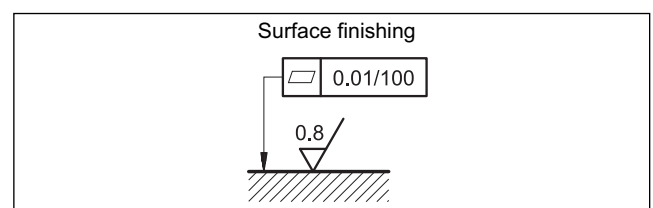
Use mineral oil-based hydraulic fluids HL or HM type, according to ISO 6743-4. For these fluids, use NBR seals (code N).

For fluids HFDR type (phosphate esters) use FPM seals (code V).

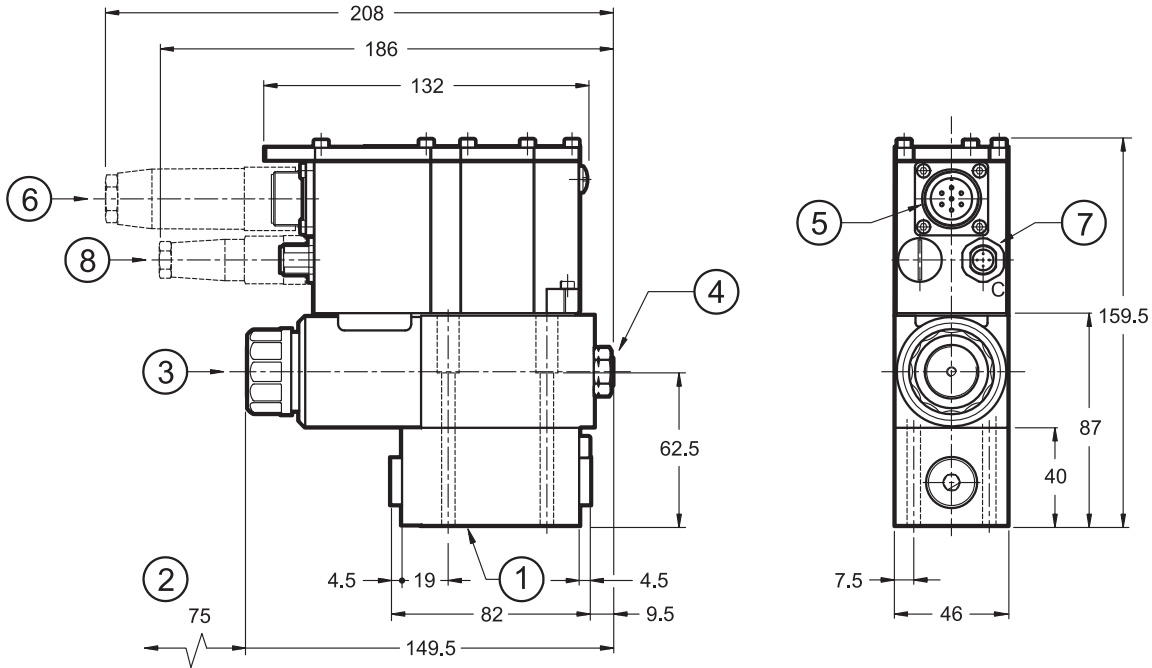
For the use of other fluid types such as HFA, HFB, HFC, please consult our technical department.

Using fluids at temperatures higher than 80 °C causes a faster degradation of the fluid and of the seals characteristics.

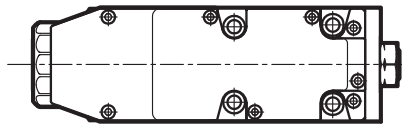
The fluid must be preserved in its physical and chemical characteristics.



8 - OVERALL AND MOUNTING DIMENSIONS



dimensions in mm



Fastenings bolts: 4 SHC screws M5x70 - ISO 4762
Tightening torque: 5 Nm

NOTE: at the first start up, or after a long period of no use, it is necessary to vent the air through the breather (3) placed at the end of the solenoid tube.

1	Mounting surface with sealing rings: 4 OR type 2037 (9.25x1.78) - 90 Shore
2	Coil removal space
3	Breather (male hexagon spanner 4)
4	Factory setting sealing (we recommend not unscrewing the nut)
5	Main connection
6	Electrical connector 7 pin DIN 43563 - IP67 PG11 EX7S/L/10 cod. 3890000003 (to be ordered separately)
7	CAN-Bus connection (only for version C)
8	Electrical connector 5 pin M12 - IP67 PG7 EC5S/M12L/10 cod. 3491001001 only for version C (to be ordered separately)

9 - SUBPLATES (see catalogue 51 000)

PMMD-AI3G with ports on rear
PMMD-AL3G with side ports
Ports dimensions P, T, A, B: 3/8" BSP thread



DIPLOMATIC OLEODINAMICA S.p.A.
20015 PARABIAGO (MI) • Via M. Re Depaolini 24
Tel. +39 0331.895.111
Fax +39 0331.895.339
www.diplomatic.com • e-mail: sales.exp@diplomatic.com

ZEUS

HYDRATECH LTD

ZEUS HYDRATECH LTD



ZEUS
HYDRATECH LTD

T: (01270) 898594
E: oliver@zeushydratech.com

www.zeushydratech.com

Building 1, Radway Green, Cheshire, CW2 5PR